

Multi zone inverter mini split

TOSOT

MODEL: TW12HQ2A3D/I

Project Name:

Location:

Engineer Name:

Purshaser:

Unit Designation:

Schedule No.

Submitted To:

Date:

General Features

- Multiple Fan Speeds
- Memory Function
- Fan Delay Function
- Fan Delay Function



- Gold Fin Condenser
- Low Voltage Start-up
- High And Low Pressure Protection Features
- Load Protection Features
- Over-Current Protection

Unit Performance:

Nominal Cooling Capacity (Btu/h)	12,000
Nominal Heating Capacity (Btu/h)	13,000

Set Temperature

Cooling (°F)	61~86
Heating (°F)	61~86

Piping

Liquid Line (in)	1/4
Gas Line (in)	1/2

Electrical Specification

Power Supply	208-230V / 60Hz
Communications Wire Size	14 AWG
Rated Amps (A)	0.09

Fan

Type	Cross-flow
Quantity	1
Motor/Drive	Direct drive
Air Flow Rate (CFM)	171 / 400

Unit Specification

Refrigerant Type	R410A
Refrigerant Control	EEV
Sound Pressure (dB(A))	29 / 45
Primary Filter	Yes
Net Weight (lbs)	22
Dehumidification (Pt/h)	2.96



GLOSSARY

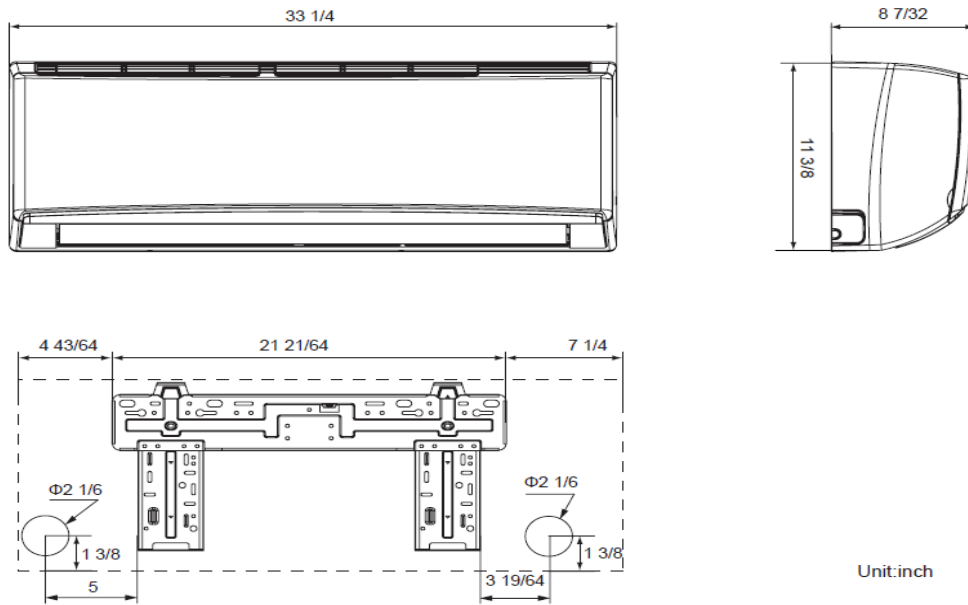
SEER - Seasonal Energy Efficiency Ratio

EER - Energy Efficiency Ratio

HSPF - Heating Seasonal Performance Factor

MOP - Maximum Overcurrent Protection

Outline Dimension Diagram



Approved By:

Signature

Date



315 Boulevard Industriel, Châteauguay, QC, Canada J6J 4Z2
Contact: +1 (450) 698-4000
info@tosotamerica.com
tosotamerica.com